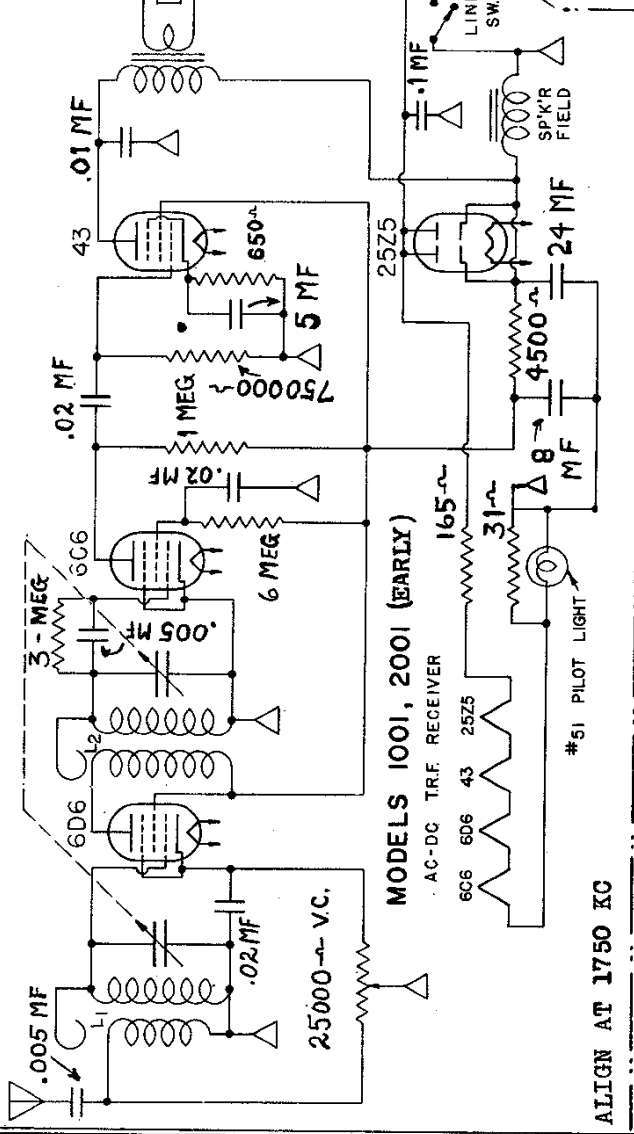
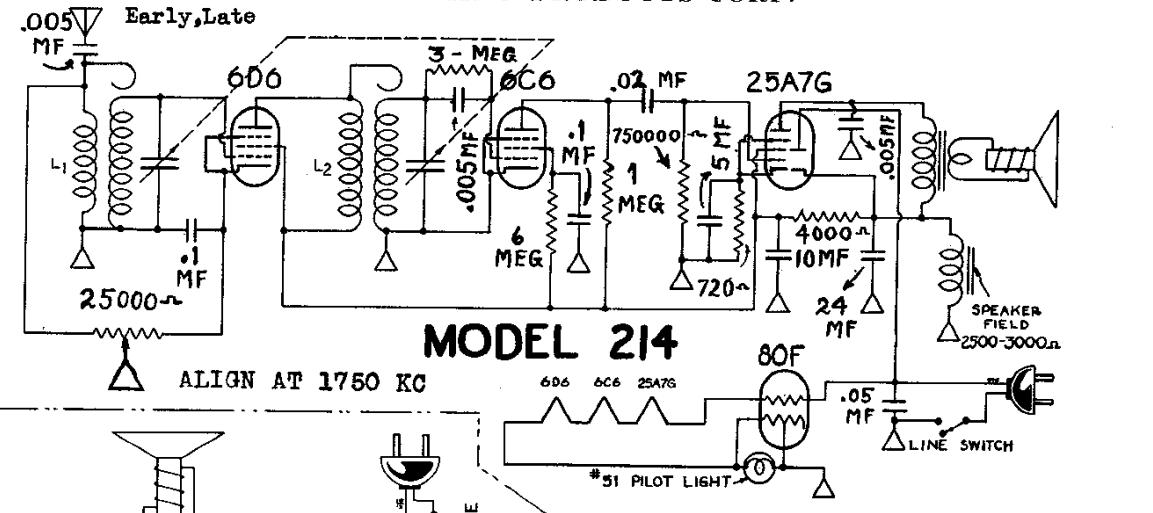


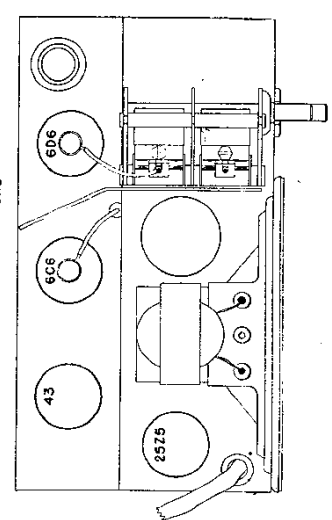
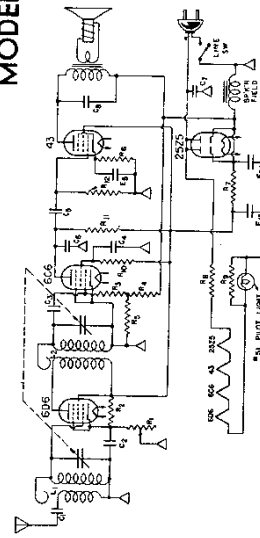
MODEL 214
 MODELS 1001, 2001

AIR KING PRODUCTS CORP.

Schematic, Socket



MODEL No. 1001, 2001
 (REVISED)



- | | | | |
|------|---------|---|------|
| R1 | 25000 Ω | 2 | WATT |
| R2 | 25000 Ω | 2 | WATT |
| R3 | 25000 Ω | 2 | WATT |
| R4 | 25000 Ω | 2 | WATT |
| R5 | 25000 Ω | 2 | WATT |
| R6 | 25000 Ω | 2 | WATT |
| R7 | 25000 Ω | 2 | WATT |
| R8 | 25000 Ω | 2 | WATT |
| R9 | 25000 Ω | 2 | WATT |
| R10 | 25000 Ω | 2 | WATT |
| R11 | 25000 Ω | 2 | WATT |
| R12 | 25000 Ω | 2 | WATT |
| R13 | 25000 Ω | 2 | WATT |
| R14 | 25000 Ω | 2 | WATT |
| R15 | 25000 Ω | 2 | WATT |
| R16 | 25000 Ω | 2 | WATT |
| R17 | 25000 Ω | 2 | WATT |
| R18 | 25000 Ω | 2 | WATT |
| R19 | 25000 Ω | 2 | WATT |
| R20 | 25000 Ω | 2 | WATT |
| R21 | 25000 Ω | 2 | WATT |
| R22 | 25000 Ω | 2 | WATT |
| R23 | 25000 Ω | 2 | WATT |
| R24 | 25000 Ω | 2 | WATT |
| R25 | 25000 Ω | 2 | WATT |
| R26 | 25000 Ω | 2 | WATT |
| R27 | 25000 Ω | 2 | WATT |
| R28 | 25000 Ω | 2 | WATT |
| R29 | 25000 Ω | 2 | WATT |
| R30 | 25000 Ω | 2 | WATT |
| R31 | 25000 Ω | 2 | WATT |
| R32 | 25000 Ω | 2 | WATT |
| R33 | 25000 Ω | 2 | WATT |
| R34 | 25000 Ω | 2 | WATT |
| R35 | 25000 Ω | 2 | WATT |
| R36 | 25000 Ω | 2 | WATT |
| R37 | 25000 Ω | 2 | WATT |
| R38 | 25000 Ω | 2 | WATT |
| R39 | 25000 Ω | 2 | WATT |
| R40 | 25000 Ω | 2 | WATT |
| R41 | 25000 Ω | 2 | WATT |
| R42 | 25000 Ω | 2 | WATT |
| R43 | 25000 Ω | 2 | WATT |
| R44 | 25000 Ω | 2 | WATT |
| R45 | 25000 Ω | 2 | WATT |
| R46 | 25000 Ω | 2 | WATT |
| R47 | 25000 Ω | 2 | WATT |
| R48 | 25000 Ω | 2 | WATT |
| R49 | 25000 Ω | 2 | WATT |
| R50 | 25000 Ω | 2 | WATT |
| R51 | 25000 Ω | 2 | WATT |
| R52 | 25000 Ω | 2 | WATT |
| R53 | 25000 Ω | 2 | WATT |
| R54 | 25000 Ω | 2 | WATT |
| R55 | 25000 Ω | 2 | WATT |
| R56 | 25000 Ω | 2 | WATT |
| R57 | 25000 Ω | 2 | WATT |
| R58 | 25000 Ω | 2 | WATT |
| R59 | 25000 Ω | 2 | WATT |
| R60 | 25000 Ω | 2 | WATT |
| R61 | 25000 Ω | 2 | WATT |
| R62 | 25000 Ω | 2 | WATT |
| R63 | 25000 Ω | 2 | WATT |
| R64 | 25000 Ω | 2 | WATT |
| R65 | 25000 Ω | 2 | WATT |
| R66 | 25000 Ω | 2 | WATT |
| R67 | 25000 Ω | 2 | WATT |
| R68 | 25000 Ω | 2 | WATT |
| R69 | 25000 Ω | 2 | WATT |
| R70 | 25000 Ω | 2 | WATT |
| R71 | 25000 Ω | 2 | WATT |
| R72 | 25000 Ω | 2 | WATT |
| R73 | 25000 Ω | 2 | WATT |
| R74 | 25000 Ω | 2 | WATT |
| R75 | 25000 Ω | 2 | WATT |
| R76 | 25000 Ω | 2 | WATT |
| R77 | 25000 Ω | 2 | WATT |
| R78 | 25000 Ω | 2 | WATT |
| R79 | 25000 Ω | 2 | WATT |
| R80 | 25000 Ω | 2 | WATT |
| R81 | 25000 Ω | 2 | WATT |
| R82 | 25000 Ω | 2 | WATT |
| R83 | 25000 Ω | 2 | WATT |
| R84 | 25000 Ω | 2 | WATT |
| R85 | 25000 Ω | 2 | WATT |
| R86 | 25000 Ω | 2 | WATT |
| R87 | 25000 Ω | 2 | WATT |
| R88 | 25000 Ω | 2 | WATT |
| R89 | 25000 Ω | 2 | WATT |
| R90 | 25000 Ω | 2 | WATT |
| R91 | 25000 Ω | 2 | WATT |
| R92 | 25000 Ω | 2 | WATT |
| R93 | 25000 Ω | 2 | WATT |
| R94 | 25000 Ω | 2 | WATT |
| R95 | 25000 Ω | 2 | WATT |
| R96 | 25000 Ω | 2 | WATT |
| R97 | 25000 Ω | 2 | WATT |
| R98 | 25000 Ω | 2 | WATT |
| R99 | 25000 Ω | 2 | WATT |
| R100 | 25000 Ω | 2 | WATT |
- 11 - ANTENNA COIL
 12 - RF COIL
 EQ - 10 MFD 100 V
 EQ - 24 - 100 V
 EQ - 1 - 100 V
 EQ - 2 - 100 V
- ALUMINUM TUBING